



VIGOR PRECISION LTD 力嘉精密有限公司

Flat A1, A4-A8, 8/F, Block A, Texaco Road Industrial Centre, 256-264 Texaco Road, Tsuen Wan Hong Kong
 香港荃灣德士古道256-264號德士古道工業中心A坐8字樓A1, A4-A8 室

Tel電話: (852)2407 5498(8 lines) Fax傳真: (852) 2407 3148

E-mail電子郵件: enquiry@vigorprecision.com.hk Web Site網址: http://www.vigorprecision.com.hk

BO-P1B (planetary gearbox)

OUTPUT : 0.02W~0.1W (APPROX)

WEIGHT : 1.5g

Typical applications : Consumer Electronic Products

Toys and Models

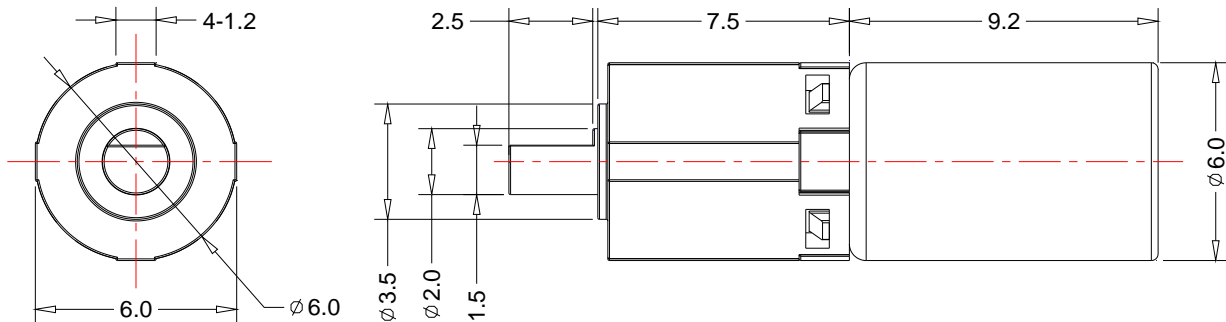
Personal Care Product

Office Automation Equipments



Model	Gear ratio	Voltage (V)	No Load		Max Efficiency (%)			Max Output (W)			Stall	
			Speed (rpm)	Current (A)	Speed (rpm)	Current (A)	Torque (kgf.cm)	Speed (rpm)	Current (A)	Torque (kgf.cm)	Torque (kgf.cm)	Current (A)
BP1-25R0609RN01D	25	3.0	1430	0.06	790	0.12	0.005	715	0.12	0.009	0.018	0.23

For Reference Only



Unit:mm

BP1-25R0609RN01D

3.0V

