



# VIGOR PRECISION LTD 力嘉精密有限公司

Flat A1, A4-A8, 8/F, Block A, Texaco Road Industrial Centre, 256-264 Texaco Road, Tsuen Wan Hong Kong  
 香港荃灣德士古道256-264號德士古道工業中心A坐8字樓A1, A4-A8 室

Tel電話: (852)2407 5498(8 lines) Fax傳真: (852) 2407 3148

E-mail電子郵件: enquiry@vigorprecision.com.hk Web Site網址: http://www.vigorprecision.com.hk

## BO-P2WITH F050 MOTOR (planetary gearbox)

OUTPUT : 0.20W~1.5W (APPROX)

WEIGHT : 21 g

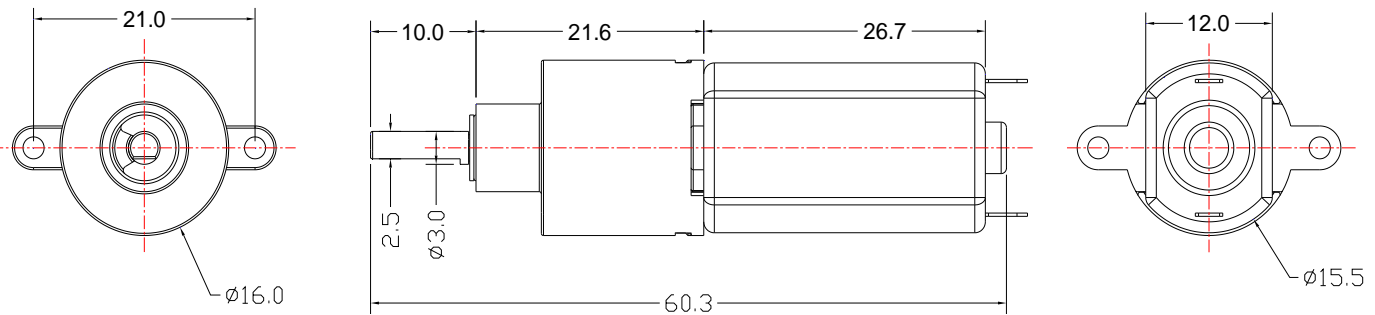
Typical applications : Consumer Electronic Products  
 Personal Care Product  
 Office Automation Equipments

Toys and Models



Model	Gear ratio	Voltage (V)	No Load		Max Efficiency (%)			Max Output (W)			Stall	
			Speed (rpm)	Current (A)	Speed (rpm)	Current (A)	Torque (kgf.cm)	Speed (rpm)	Current (A)	Torque (kgf.cm)	Torque (kgf.cm)	Current (A)
BP2-28F050-08250D	28	9.0	300	0.07	238	0.12	0.12	150	0.21	0.28	0.55	0.37
BP2-28F050-11170D	28	9.0	460	0.08	380	0.20	0.17	230	0.51	0.48	0.96	0.94
BP2-28F050-13130D	28	9.0	600	0.10	506	0.35	0.18	300	0.92	0.55	1.10	1.70

For Reference Only



Unit:mm

BP2-28F050-11170D 9.0V

BP2-28F050-13130D 9.0V

