



VIGOR PRECISION LTD 力嘉精密有限公司

Flat A1, A4-A8, 8/F, Block A, Texaco Road Industrial Centre, 256-264 Texaco Road, Tsuen Wan Hong Kong
 香港荃灣德士古道256-264號德士古道工業中心A坐8字樓A1, A4-A8 室

Tel電話: (852)2407 5498(8 lines) Fax傳真: (852) 2407 3148

E-mail電子郵件: enquiry@vigorprecision.com.hk Web Site網址: http://www.vigorprecision.com.hk

BO-P3 WITH F130 MOTOR (planetary gearbox)

OUTPUT : 0.2W~10W (APPROX)

WEIGHT : 33g

Typical applications : Office Automation Equipments

Toys and Models

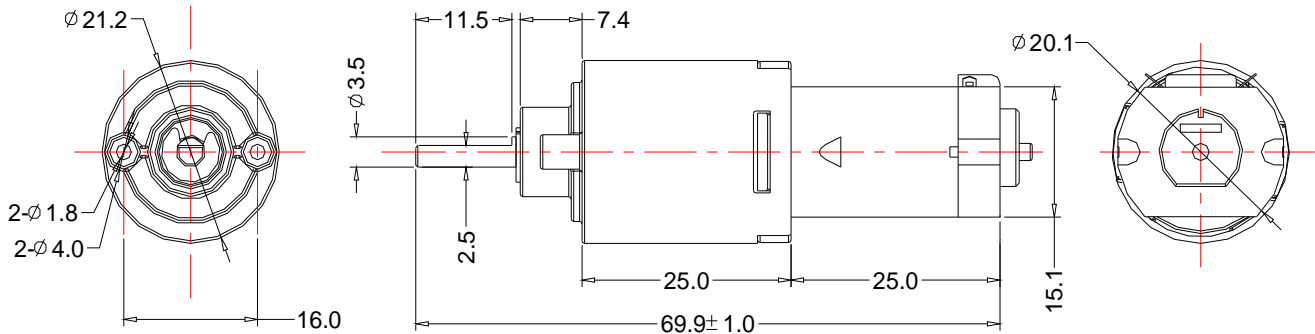
Personal Care Product

Tooth Brush



Model	Gear ratio	Voltage (V)	No Load		Max Efficiency (%)			Max Output (W)			Stall	
			Speed (rpm)	Current (A)	Speed (rpm)	Current (A)	Torque (kgf.cm)	Speed (rpm)	Current (A)	Torque (kgf.cm)	Torque (kgf.cm)	Current (A)
BP3-96F130-14150D	96	4.5	134	0.25	102	0.45	0.43	37	0.72	0.83	1.80	1.25

For Reference Only



Unit:mm

BP3-96F130-14150D

4.5V

