



# VIGOR PRECISION LTD 力嘉精密有限公司

Flat A1, A4-A8, 8/F, Block A, Texaco Road Industrial Centre, 256-264 Texaco Road, Tsuen Wan Hong Kong  
 香港荃灣德士古道256-264號德士古道工業中心A坐8字樓A1, A4-A8 室

Tel電話: (852)2407 5498(8 lines) Fax傳真: (852) 2407 3148

E-mail電子郵件: enquiry@vigorprecision.com.hk

Web Site網址: http://www.vigorprecision.com.hk

## BO-P6 WITH R280 MOTOR (planetary gearbox)

OUTPUT : 0.5W~24W (APPROX)

WEIGHT : 66g

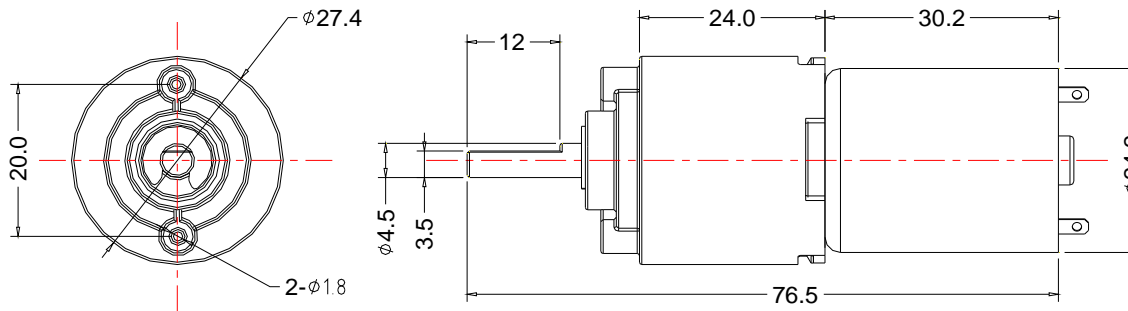
Typical applications : Consumer Electronic Products  
 Personal Care Product  
 Office Automation Equipments  
 Toys and Models

Household Appliances  
 Massager / Vibrator  
 Power Tools



| Model              | Gear ratio | Voltage (V) | No Load     |             | Max Efficiency (%) |             |                 | Max Output (W) |             |                 | Stall           |             |
|--------------------|------------|-------------|-------------|-------------|--------------------|-------------|-----------------|----------------|-------------|-----------------|-----------------|-------------|
|                    |            |             | Speed (rpm) | Current (A) | Speed (rpm)        | Current (A) | Torque (kgf.cm) | Speed (rpm)    | Current (A) | Torque (kgf.cm) | Torque (kgf.cm) | Current (A) |
| BP6-N12R280-14220D | 120        | 6.0         | 32          | 0.15        | 26                 | 0.28        | 1.60            | 16.0           | 0.52        | 3.95            | 7.90            | 0.86        |
| BP6-N12R280-2685D  | 120        | 3.0         | 42          | 0.25        | 36                 | 0.70        | 1.80            | 21.0           | 1.70        | 5.50            | 11.00           | 3.20        |

For Reference Only



Unit:mm

BP6-N12R280-14220D

6.0V

BP6-N12R280-2685D

3.0V

