



VIGOR PRECISION LTD.

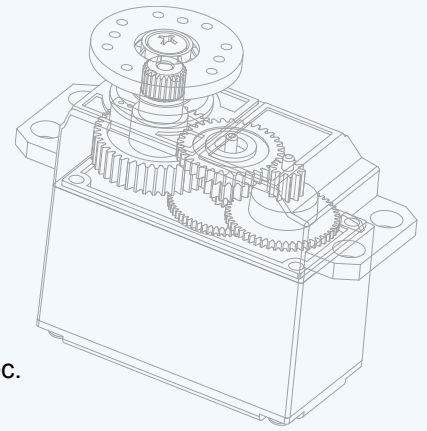
力嘉精密有限公司

VS-2HMB SERVO

FOR REFERENCE

TECHNICAL DATA

Control System:	Pulse width control, 1500µs neutral	
Operating Voltage:	4.8V~6.0V (DC)	
STD Direction:	Counter clockwise/pulse traveling 800 to 2200 µsec.	
Test Voltage:	at 4.8V	at 6.0V
Operating Speed:	0.16sec/60° at no load	0.13sec/60° at no load
Stall Torque:	≥7.0kgf.cm(97.21 oz/in)	≥8.0kgf.cm(111.1 oz/in)
Running Current:	~0.25A	~0.30A
Stall Current:	~1.8A	~2.5A
Output Angle:	≥170°	
Dead Band Width:	5µsec	



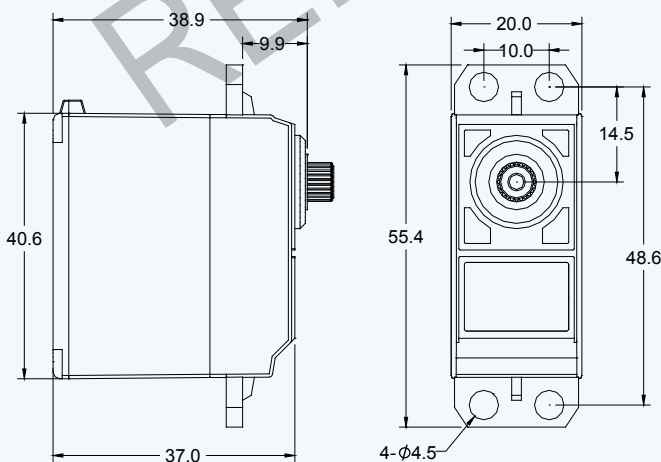
FEATURES

Motor Type:	Coreless Motor
Potentiometer Life:	1,000,000 cycles
Bearing:	2pcs Ball bearing
Gear Material:	Metal
Spline Horns:	Spline type for FUTABA style
Connector Wire Length:	250mm(9.84in), 26AWG(Connector for FUTABA or JR style)

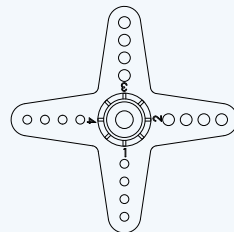
DIMENSIONS

Size :	40.6×20.0×38.9mm(1.6×0.79×1.53in)
Weight:	53g (1.87oz)

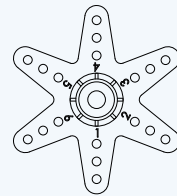
CASE AND HORN DRAWING



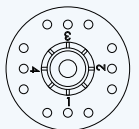
STD ACCESSORIES: Horn Screw × 1pc
 Cross Horn "A" × 1pc
 Star Horn "A" × 1pc
 Circular Horn "A" × 1pc



Cross Horn "A"



Star Horn "A"



Circular Horn "A"

OPTION ACCESSORIES:

Servo Mounter "Set-C": Rubber Mounter Plate × 2pcs and Small Metal Sleeve × 4pcs

REMARKS:

