



VIGOR PRECISION LTD.

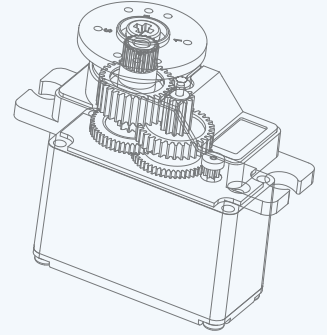
力嘉精密有限公司

## VS-3 SERVO

FOR REFERENCE

### TECHNICAL DATA

Control System:	Pulse width control, 1500µs neutral	
Operating Voltage:	4.8V~6.0V (DC)	
STD Direction:	Counter clockwise/pulse traveling 800 to 2200 µsec.	
Test Voltage:	at 4.8V	at 6.0V
Operating Speed:	0.16sec/60° at no load	0.12sec/60° at no load
Stall Torque:	≥2.2kgf.cm(30.55 oz/in)	≥2.5kgf.cm(34.72 oz/in)
Running Current:	~0.2A	~0.25A
Stall Current:	~0.7A	~0.9A
Output Angle:	≥170°	
Dead Band Width:	5µsec	



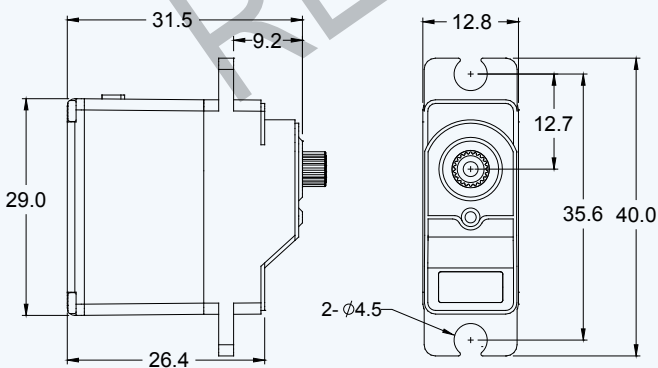
### FEATURES

Motor Type:	3poles metal brush motor (Normal Motor)
Potentiometer Life:	1,000,000 cycles
Bearing:	None
Gear Material:	Resin
Spline Horns:	Spline type for HITEC style
Connector Wire Length:	250mm(9.84in),26AWG(Connector for FUTABA or JR style)

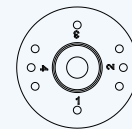
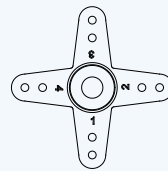
### DIMENSIONS

Size :	29.0×12.8×31.5mm(1.14×0.5×1.24in)
Weight:	17g (0.60 oz)

### CASE AND HORN DRAWING



- STD ACCESSORIES:** Horn Screw × 1pc  
 Cross Horn "B" × 1pc  
 Circular Horn "B" × 1pc  
 Double Side Horn "B" × 1pc



Cross Horn "B"

Circular Horn "B"

Double side Horn "B"

### OPTION ACCESSORIES:

Servo Mounter "Set-B": Rubber Mounter × 2pcs and Metal Sleeve × 2pcs

### REMARKS:

