



VIGOR PRECISION LTD.

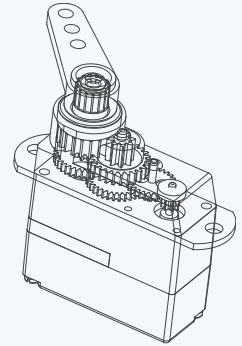
力嘉精密有限公司

## VS-9 SERVO

FOR REFERENCE

### TECHNICAL DATA

Control System:	Pulse width control, 1500µs neutral	
Operating Voltage:	4.8V~6.0V (DC)	
STD Direction:	Counter clockwise/pulse traveling 800 to 2200 µsec.	
Test Voltage:	at 4.8V	at 6.0V
Operating Speed:	0.09sec/60° at no load	0.08sec/60° at no load
Stall Torque:	≥0.5kgf.cm(6.94 oz/in)	≥0.6kgf.cm(8.33 oz/in)
Running Current:	~0.1A	~0.15A
Stall Current:	~0.5A	~0.6A
Output Angle:	≥170°	
Dead Band Width:	5µsec	



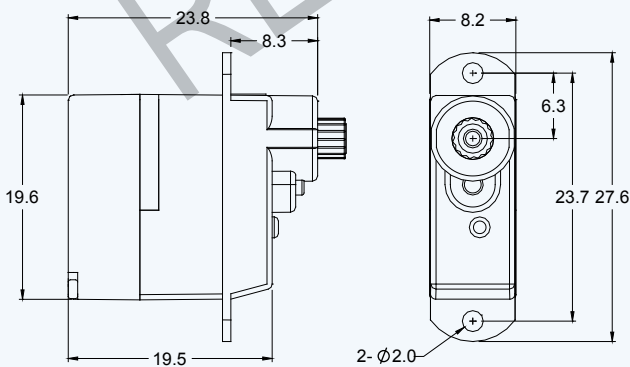
### FEATURES

Motor Type:	Coreless Motor
Potentiometer Life:	100,000 cycles
Bearing:	Resin Bush
Gear Material:	Resin
Spline Horns:	Spline type for HITEC style
Connector Wire Length:	100mm(3.94in), 28AWG(Connector for FUTABA or JR style)

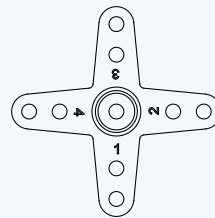
### DIMENSIONS

Size :	19.6×8.2×23.8mm(0.77×0.32×0.94in)
Weight:	4.4g (0.16 oz)

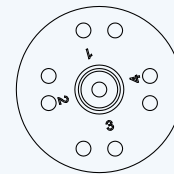
### CASE AND HORN DRAWING



- STD ACCESSORIES:** Horn Screw × 1pc  
 Cross Horn "C" × 1pc  
 Circular Horn "C" × 1pc  
 Single side Horn "C" × 1pc



Cross Horn "C"



Circular Horn "C"



Single side Horn "C"

### OPTION ACCESSORIES:

### REMARKS:

