



VIGOR PRECISION LTD.

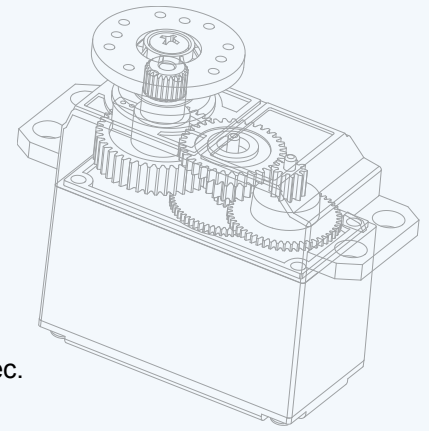
力嘉精密有限公司

VSD-2 SERVO

FOR REFERENCE

TECHNICAL DATA

Control System:	Pulse width control, 1500µs neutral	
Operating Voltage:	4.8V~6.0V (DC)	
STD Direction:	Counter clockwise/pulse traveling 800 to 2200 µsec.	
Test Voltage:	at 4.8V	at 6.0V
Operating Speed:	0.20sec/60° at no load	0.17sec/60° at no load
Stall Torque:	≥3.2kgf.cm(44.44 oz/in)	≥3.5kgf.cm(48.6 oz/in)
Running Current:	~0.2A	~0.25A
Stall Current:	~0.8A	~1.0A
Output Angle:	≥120°	
Dead Band Width:	2µsec(Digital PCBA)	



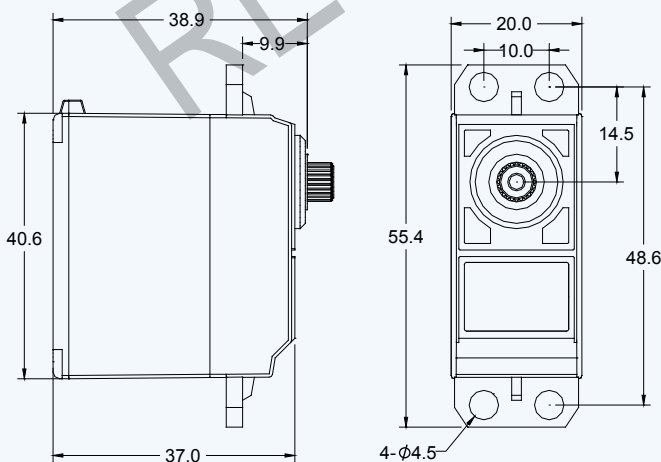
FEATURES

Motor Type:	3poles metal brush motor (Normal Motor)
Potentiometer Life:	1,000,000 cycles
Bearing:	None
Gear Material:	Resin
Spline Horns:	Spline type for FUTABA style
Connector Wire Length:	250mm(9.84in),26AWG(Connector for FUTABA or JR style)

DIMENSIONS

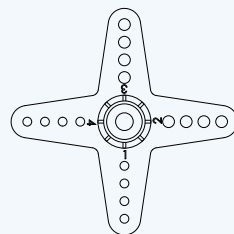
Size :	40.6×20.0×38.9mm(1.6×0.79×1.53in)
Weight:	37g (1.30oz)

CASE AND HORN DRAWING

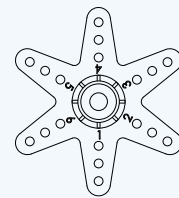


STD ACCESSORIES:

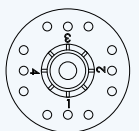
- Horn Screw × 1pc
- Cross Horn "A" × 1pc
- Star Horn "A" × 1pc
- Circular Horn "A" × 1pc



Cross Horn "A"



Star Horn "A"



Circular Horn "A"

OPTION ACCESSORIES:

Servo Mounter "Set-C": Rubber Mounter Plate × 2pcs and Small Metal Sleeve × 4pcs

REMARKS:

