

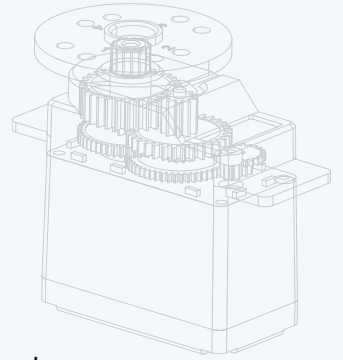


VIGOR PRECISION LTD.

力嘉精密有限公司

VSD-5 SERVO

FOR REFERENCE



TECHNICAL DATA

| | | |
|--------------------|---|-------------------------|
| Control System: | Pulse width control, 1500µs neutral | |
| Operating Voltage: | 4.8V~6.0V (DC) | |
| STD Direction: | Counter clockwise/pulse traveling 800 to 2200 µsec. | |
| Test Voltage: | at 4.8V | at 6.0V |
| Operating Speed: | 0.19sec/60° at no load | 0.17sec/60° at no load |
| Stall Torque: | ≥1.0kgf.cm(13.89 oz/in) | ≥1.2kgf.cm(16.66 oz/in) |
| Running Current: | ~0.15A | ~0.2A |
| Stall Current: | ~0.5A | ~0.6A |
| Output Angle: | ≥120° | |
| Dead Band Width: | 2µsec (Digital PCBA) | |

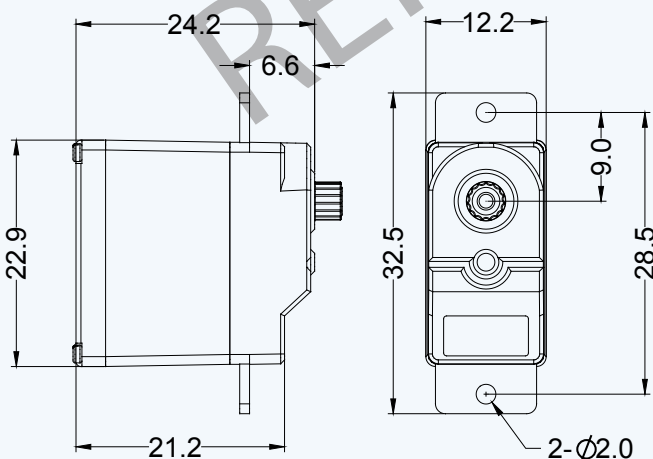
FEATURES

| | |
|------------------------|---|
| Motor Type: | Coreless Motor |
| Potentiometer Life: | 1,000,000 cycles |
| Bearing: | None |
| Gear Material: | Resin |
| Spline Horns: | Spline type for HITEC style |
| Connector Wire Length: | 250mm(9.84in),28AWG(Connector for FUTABA or JR style) |

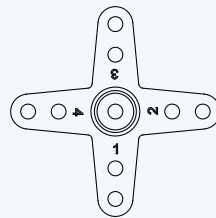
DIMENSIONS

| | |
|---------|-------------------------------------|
| Size : | 22.94×12.2×24.2mm(0.90×0.48×0.95in) |
| Weight: | 8.0g(0.28 oz) |

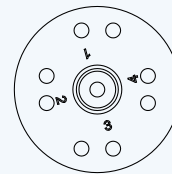
CASE AND HORN DRAWING



- STD ACCESSORIES:** Horn Screw × 1pc
 Cross Horn "C" × 1pc
 Circular Horn "C" × 1pc
 Single side Horn "C" × 1pc



Cross Horn "C"



Circular Horn "C"



Single side Horn "C"

OPTION ACCESSORIES:

REMARKS:

