

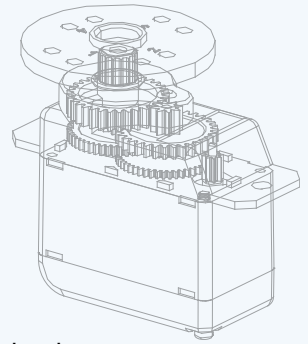


VIGOR PRECISION LTD.

力嘉精密有限公司

VSD-6E SERVO

FOR REFERENCE



TECHNICAL DATA

Control System:	Pulse width control, 1500µs neutral	
Operating Voltage:	4.8V~6.0V (DC)	
STD Direction:	Counter clockwise/pulse traveling 800 to 2200 µsec.	
Test Voltage:	at 4.8V	at 6.0V
Operating Speed:	0.11sec/60° at no load	0.09sec/60° at no load
Stall Torque:	≥0.6kgf.cm(8.33 oz/in)	≥0.8kgf.cm(11.11 oz/in)
Running Current:	~0.15A	~0.2A
Stall Current:	~0.75A	~0.9A
Output Angle:	≥120°	
Dead Band Width:	5µsec (Digital PCBA, 8 bits)	

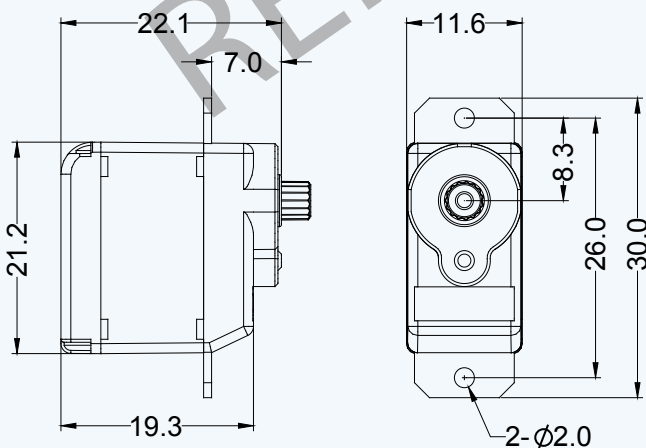
FEATURES

Motor Type:	Coreless Motor
Potentiometer Life:	100,000 cycles
Bearing:	None
Gear Material:	Resin
Spline Horns:	Spline type for HITEC style
Connector Wire Length:	250mm(9.84in), 28AWG(Connector for FUTABA or JR style)

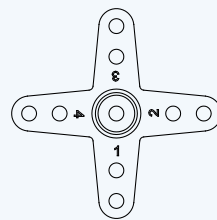
DIMENSIONS

Size :	21.18×11.58×22.1mm(0.83×0.45×0.84in)
Weight:	6.0g (0.21oz)

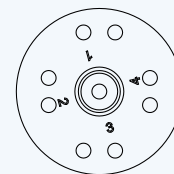
CASE AND HORN DRAWING



- STD ACCESSORIES:** Horn Screw × 1pc
 Cross Horn "C" × 1pc
 Circular Horn "C" × 1pc
 Single side Horn "C" × 1pc



Cross Horn "C"



Circular Horn "C"



Single side Horn "C"

OPTION ACCESSORIES:

REMARKS:

