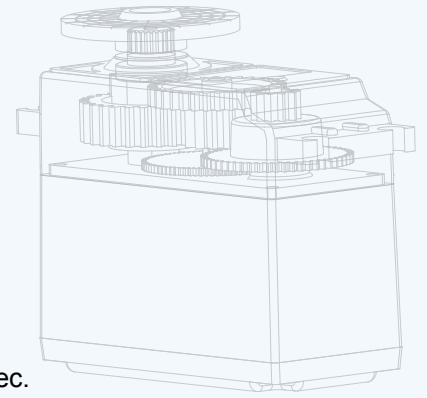




**VIGOR PRECISION LTD.**

力嘉精密有限公司

## VSD-11YMB SERVO



### TECHNICAL DATA

Control System:	Pulse width control, 1500µs neutral	
Operating Voltage:	6.0V~7.2V (DC)	
STD Direction:	Counter clockwise/pulse traveling 800 to 2200 µsec.	
Test Voltage:	at 6.0V	at 7.2V
Operating Speed:	0.92sec/360° at no load	0.75sec/360° at no load
Stall Torque:	≥19kgf.cm(263.9 oz/in)	≥28kgf.cm(388.8 oz/in)
Running Current:	~0.35A	~0.40A
Stall Current:	~3.5A	~4.5A
Output Angle:	≥2160°(6 circles)	
Dead Band Width:	2µsec(Digital PCBA)	

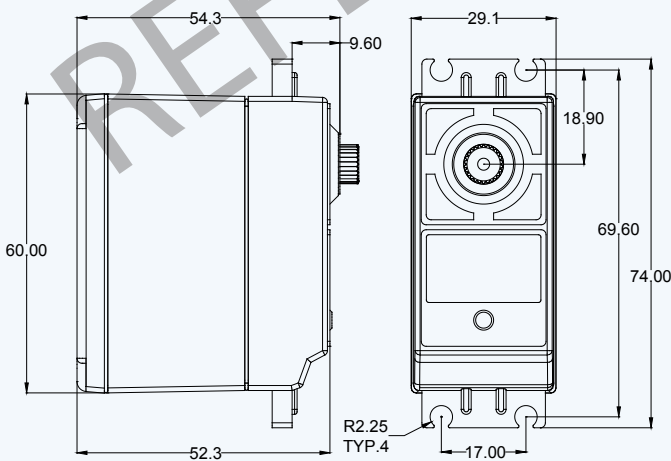
### FEATURES

Motor Type:	3poles metal brush motor (Heavy-duty Motor)
Potentiometer Life:	1000,000 cycles
Bearing:	2pcs Ball bearing
Gear Material:	Metal Gears
Spline Horns:	Spline type for FUTABA style
Connector Wire Length:	250mm(9.84in), 22AWG(Connector for FUTABA or HITEC style)
Other Features:	Water Resistance

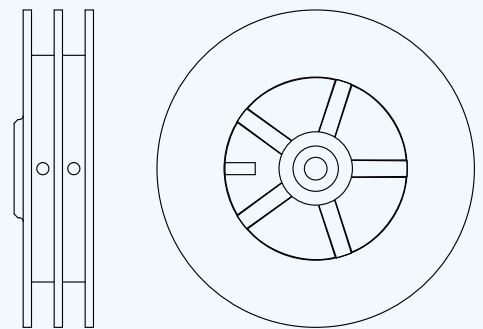
### DIMENSIONS

Size :	60.0×29.1×54.3mm(2.36×1.15×2.14in)
Weight:	150g (5.29oz)

### CASE AND HORN DRAWING



**STD ACCESSORIES:** Horn Screw × 1pc  
Winch Horn "A" × 1pc



Winch Horn "A"

### OPTION ACCESSORIES:

Servo Mounter "Set-A": Rubber Mounter × 4pcs and Metal Sleeve × 4pcs

### REMARKS: