



VIGOR PRECISION LTD.

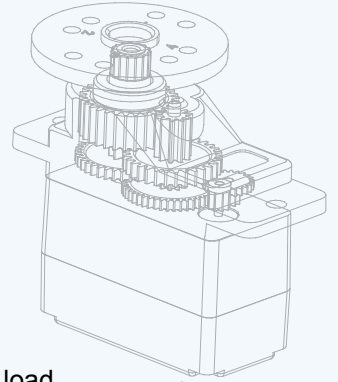
力嘉精密有限公司

VSD-15E SERVO

FOR REFERENCE

TECHNICAL DATA

| | | |
|--------------------|---|------------------------|
| Control System: | Pulse width control, 1500µs neutral | |
| Operating Voltage: | 4.8V~6.0V (DC) | |
| STD Direction: | Counter clockwise/pulse traveling 800 to 2200 µsec. | |
| Test Voltage: | at 4.8V | at 6.0V |
| Operating Speed: | 0.14sec/60° at no load | 0.12sec/60° at no load |
| Stall Torque: | ≥1.6kgf.cm(22.22 oz/in) | ≥1.8kgf.cm(25.0 oz/in) |
| Running Current: | ~0.25A | ~0.35A |
| Stall Current: | ~0.8A | ~1.0A |
| Output Angle: | ≥120° | |
| Dead Band Width: | 2µsec (Digital PCBA,8 bits) | |



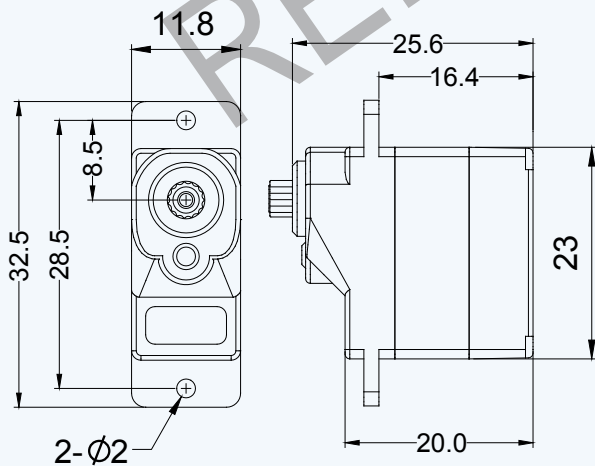
FEATURES

| | |
|------------------------|---|
| Motor Type: | 3 pole metal brush motor (Normal Motor) |
| Potentiometer Life: | 100,000 cycles |
| Bearing: | Ball Bearing |
| Gear Material: | Resin and carbon fiber resin |
| Spline Horns: | Spline type for HITEC style |
| Connector Wire Length: | 100mm(3.94in),26AWG(Connector for FUTABA or JR style) |

DIMENSIONS

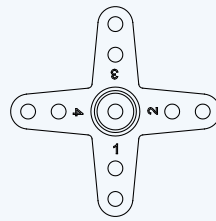
| | |
|---------|------------------------------------|
| Size : | 23.0×11.8×25.6mm(0.91×0.46×1.01in) |
| Weight: | 9.0g (0.32oz) |

CASE AND HORN DRAWING

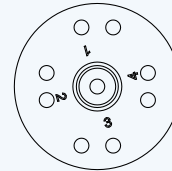


STD ACCESSORIES:

- Horn Screw × 1pc
- Cross Horn "C" × 1pc
- Circular Horn "C" × 1pc
- Single side Horn "C" × 1pc



Cross Horn "C"



Circular Horn "C"



Single side Horn "C"

OPTION ACCESSORIES:

REMARKS:

