



VIGOR PRECISION LTD.

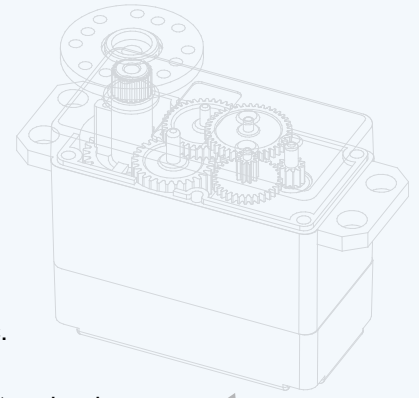
力嘉精密有限公司

VTS-08A SERVO

FOR REFERENCE

TECHNICAL DATA

Control System:	Pulse width control, 1500µs neutral	
Operating Voltage:	4.8V~6.0V (DC)	
STD Direction:	Counter clockwise/pulse traveling 800 to 2200 µsec.	
Test Voltage:	at 4.8V	at 6.0V
Operating Speed:	0.33sec/60° at no load	0.30sec/60° at no load
Stall Torque:	≥5.0kgf.cm(69.44oz/in)	≥6.0kgf.cm(83.32 oz/in)
Running Current:	~0.23A	~0.25A
Stall Current:	~1.0A	~1.2A
Output Angle:	≥170°	
Dead Band Width:	10µsec	



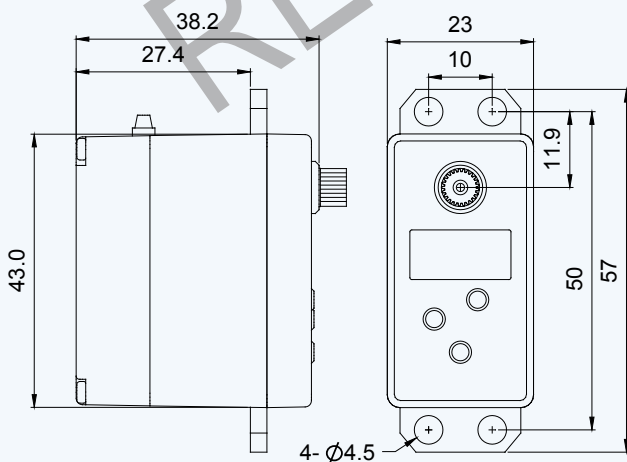
FEATURES

Motor Type:	3poles metal brush motor (Heavy-duty Motor)
Potentiometer Life:	500,000 cycles
Bearing:	None
Gear Material:	Resin and Heavy Duty Resin
Spline Horns:	Spline type for VIGOR style
Connector Wire Length:	250mm(9.84in), 26AWG(Connector for FUTABA or JR style)

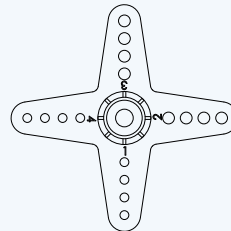
DIMENSIONS

Size :	43×23×38.2mm(1.69×0.91×1.50in)
Weight:	43.0g (1.52 oz)

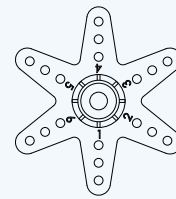
CASE AND HORN DRAWING



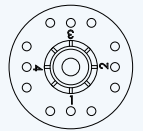
STD ACCESSORIES: Horn Screw × 1pc
 Cross Horn "T" × 1pc
 Star Horn "T" × 1pc
 Circular Horn "T" × 1pc



Cross Horn "T"



Star Horn "T"



Circular Horn "T"

OPTION ACCESSORIES:

Servo Mounter "Set-C": Rubber Mounter Plate × 2pcs and Small Metal Sleeve × 4pcs

REMARKS:

